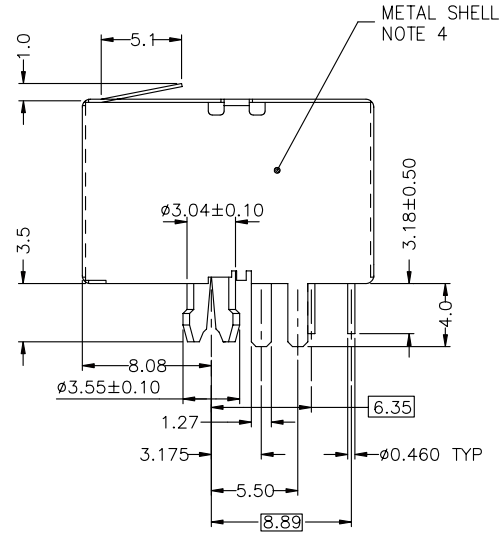
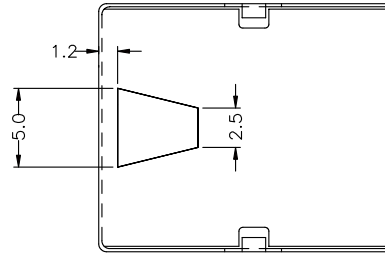
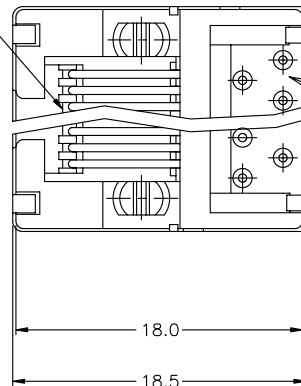


P.C.B. HOLE PATTERN VIEWED FROM TOP.

INSULATED TAPE NOTE 5



METAL SHELL NOTE 4

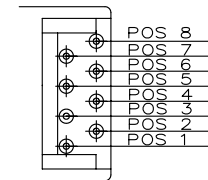


MOD JACK ASS'Y

NOTES:

- RECOMMENDED P.C.B. THICKNESS 1.60 MM
- HOUSING MAT'L: NYLON 66, 25% GLASS REINFORCED, COLOR: GRAY
- CONTACTS: PHOS BRONZE ALLOY UNS-C51000, Ø 0.460 ROUND WIRE, PLATING SEE TABLE.
- METAL SHELL MATERIAL: COPPER ALLOY, 0.20MM THICK. FINISH: FOR 94927-XXX, TIN-LEAD, 100u" THICK MIN. FOR 94927-XXXLF, PURE BRIGHT TIN 80u" THICK MIN.
- INSULATED TAPE: 3M COMPANY TAPE #5
- PACKAGING PER GES-14-361, USING TUBE
- IF LF P/N THE PRODUCT MEETS EUROPEAN UNION DIRECTIVES AND OTHER COUNTRY REGULATIONS AS DESCRIBED IN GS-22-008.
- THE HOUSING WILL WITHSTAND EXPOSURE TO 260°C PEAK TEMPERATURE FOR 10 SECONDS IN A WAVE SOLDER APPLICATION WITH A 1.60mm MINIMUM THICK CIRCUIT BOARD.
- IF LF P/N PACKAGING MEETS GS-14-920 SPECIFICATION.

PRODUCT NO	NUMBER OF POS.	LOADED POSITION	PLATING
94927-088	8	ALL POS.	30u" G.X.T.
94927-088LF			



POS. NO. CONFIGURATION

mat'l code		tolerance unless otherwise specified		CUSTOMER COPY		FCI		www.fciconnect.com	
rev.	ecn no.	dr	date	linear	.0 ± 0.25	projection	title	LOW PROFILE PCB III 8 POS MOD JACK, FULLY SHIELDED	
A	T50230	CL	08/11/95	angles	.00 ± 0.13		product family	MOD JACK	code
B	T50286	CL	10/20/95		.000 ± 0.05		size	dwg no.	TWN
C	T03-0443	WL	10/06/03		± 2°	scale	3 : 1	94927	sheet 1 OF 1
D	N05-0030	YS	02/05/05	dr	C L FENG 03/06/95	unit	mm/inch		
				enr	TONY CHIEN 03/06/95				
				chr	TONY CHIEN 03/06/95				
				appd	JENN TSAO 03/06/95				
sheet	revision	D							
index	sheet	1							